

Industrial LED Lighting

G6 Series Ordinary & Hazardous Location

The G6 Series Industrial LED linear fixtures are durable and robust making them suitable for a variety of indoor and outdoor industrial applications. The G6 Series fixtures have been designed with maximum safety in mind. Featuring low voltage (12 VDC or 24 VDC) power supplies and an enclosure rating of IP 66/67, these fixtures are ideal for use inside electrical cabinets, in solar powered applications, and general lighting in industrial environments. They also boast the most compact footprint in their class, allowing for use in confined spaces where conventional luminaires just won't fit.

Key Features

- Industry exclusive low voltage DC power supply for safest operation
- Articulating mounting brackets provide a 360° range of adjustment
- Available in fixture lengths from 1 to 4 feet
- Supplied with 6' flying lead power supply cord
- Multiple beam patterns available
- Anti-Glare lens for improved contrast
- LM-80 > 60,500 hours
- Superior color rendition when compared to conventional luminaires – CRI Value: 75 (Cool White) or 80 (Warm White)
- Five year limited warranty

Common Applications

- Oil & Gas Refineries
- Military Transport Vehicles
- Billboard Lighting
- Solar Powered Signs/Buildings
- Motor Vehicle Service Bay Task Lighting



Catalog Number Selector

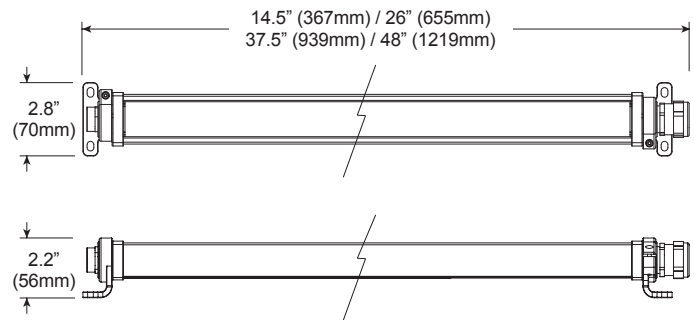
Series	Color Temp	Optic	Finish	—	Location	Power	Length	
G	6	1 = Cool White (5000 °K)	1 = Narrow (30°)	2 = Black	1 = Ordinary	1 = 12 VDC	1 = 12"	
					2 = Hazardous	2 = 24 VDC	2 = 24"	
		2 = Warm White (3500 °K)	3 = Wide (100°)					3 = 36"
								4 = 48"

Example: G6232-222 = G6 Series, Warm White, Wide, Black Finish, Hazardous Location, 24 VDC, 24" Long

Specifications

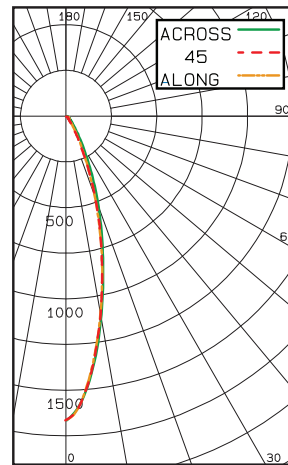
Electrical			
Volts		12 VDC or 24 VDC	
Amps	12"	.66 A or .33 A	
	24"	1.32 A or .66 A	
	36"	1.98 A or .99 A	
	48"	2.64 A (12 VDC) or 1.32 A (24 VDC)	
Construction			
Housing	Anodized Aluminum		
Lens	Polycarbonate		
Weight	12"	0.7 lbs	
	24"	1.4 lbs	
	36"	2.1 lbs	
	48"	2.8 lbs	
Environmental			
Operating Temperature	-40 °C to 65 °C		
Operating Case Temperature	~15 °C Above Ambient		
Ingress Protection	IP66/67		
Standards & Certifications			
Fixtures for General Industrial Locations	CSA C22.2 No 250; UL 1598 (cETLus)		
Fixtures for Hazardous Locations	CSA C22.2 No 250.0, 137, 213; UL 1598, 844 (cETLus); ANSI 12.12.01		
	Class I, Division 2, Groups ABCD T3		
Warranty			
Warranty	5-Year Limited		

Dimensions

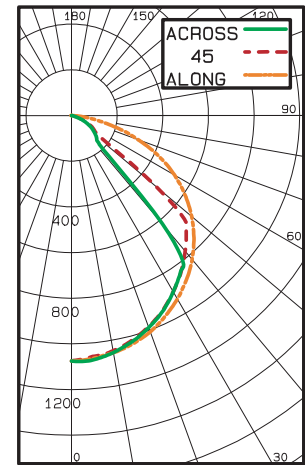


Beam Characteristics

Fixture Length	Optic	Lumens	Watts
12"	Narrow	559	8.4
	Wide	454	
24"	Narrow	1118	16.8
	Wide	908	
36"	Narrow	1677	25.2
	Wide	1362	
48"	Narrow	2236	33.6
	Wide	1756	



NARROW BEAM - 30°



WIDE BEAM - 100°

Additional Options*

Colored LEDs: Royal Blue, Blue, Green, Amber, Red • IR, UV

Dual Color Fixtures

Custom Lead Lengths

*Contact customer service for details.

Visit our Website at:

www.leviton.com/industrialLED

email: industrialLED@leviton.com

Q-1006

101615

Leviton Manufacturing Co., Inc.

201 N Service Rd, Melville, NY 11747

Telephone: 1-800-323-8920 • FAX: 1-800-832-9538

Tech Line (8:30AM-7:30PM E.S.T. Monday-Friday): 1-800-824-3005

© 2015 Leviton Manufacturing Co., Inc. All rights reserved.

